

**L1000/1300-R117(LED)
Pole for LED Screen**

- Pole for entrance & exit LED screen
- Alloy with surface spray treatment
- Adopts waterproof design
- Design of the cap enables convenient wring

▪ **Specification**

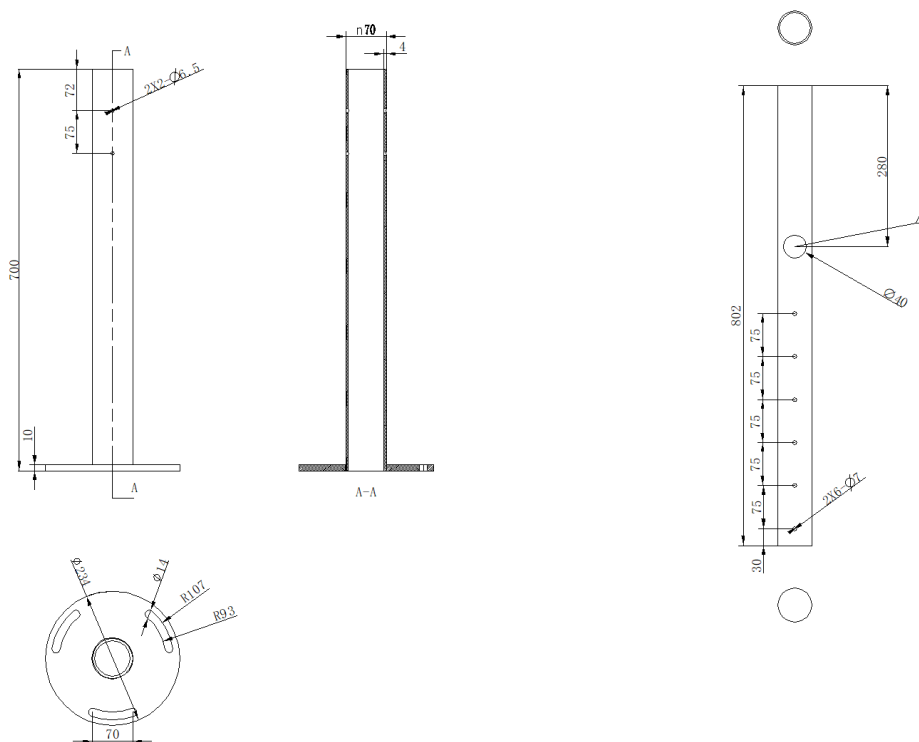
Bracket	
Appearance	White
Material	Q235
General	
Dimensions	60 × 60 × 1500 mm (2.36 × 2.36 × 59.06 inch)
Dimensions (with Package)	270 × 270 × 1550 mm (10.63 × 10.63 × 61.02 inch)
Weight	9.5 kg (20.94 lb.)
Weight (with Package)	10.5 kg (23.15 lb.)

▪ **Available Model**

L1000/1300-R117(LED)(O-NEU)

L1000/1300-R117(LED)(FFS)(O-NEU)

▪ **Dimension**



Headquarters

No.555 Qianmo Road, Binjiang District,
Hangzhou 310051, China
T +86-571-8807-5998
www.hikvision.com



Follow us on social media to get the latest product and solution information.

