

DS-2DE5425IWG-K/4G 4 MP 25× Network IR Speed Dome



- Supports performance mode and low power mode. The consumption is 3 W in low power mode, and 0.3 W in sleep mode.
- Built-in heating glass for effective defog
- Water and dust resistant (IP66)
- The built-in eMMC storage is up to 256 GB.
- Supports Wi-Fi AP for short-distance debugging;The Wi-Fi function of the device only works as AP mode on Channel 11, no other modes and channels are supported
- Supports 12 V 1 A reverse power supply
- Expansive night view with up to 120 m IR distance

▪ Specification

Camera	
Image Sensor	1/2.8" progressive scan CMOS
Max. Resolution	2560 × 1440
Min. Illumination	color: 0.05Lux @ (F1.6, AGC ON) B/W: 0.01Lux @ (F1.6, AGC ON) 0 Lux with IR
Shutter Speed	1 s~1/30,000 s
Day & Night	IR cut filter
Zoom	25 × optical, 16 × digital
Slow Shutter	yes
HLC	yes
3D DNR	yes
Lens	
Focal Length	4.8 mm~120 mm
FOV	Horizontal field of view: 55° to 2.4° (wide-tele), Vertical field of view: 33° to 1.4° (wide-tele), Diagonal field of view: 61.5° to 2.8° (wide-tele)
Focus	semi-auto manual auto
Aperture	F1.6
Zoom Speed	approx.3.6s
Illuminator	
Supplement Light Type	IR
Supplement Light Range	200m
PTZ	
Movement Range (Pan)	360°
Movement Range (Tilt)	-15° to 90° (auto flip)
Pan Speed	pan speed: configurable from 0.1° to 120°/s; preset speed: 120°/s
Tilt Speed	tilt speed: configurable from 0.1° to 80°/s, preset speed 80°/s
Proportional Pan	yes
Presets	300
Preset Freezing	yes
Patrol Scan	8 patrols, up to 32 presets for each patrol
Pattern Scan	4 pattern scans
Park Action	preset pattern scan patrol scan auto scan tilt scan random scan frame scan panorama scan
3D Positioning	yes
PTZ Status Display	yes
Scheduled Task	preset pattern scan patrol scan auto scan tilt scan random scan frame scan panorama scan dome reboot dome adjust aux output
Power-off Memory	yes
Video	
Main Stream	50 Hz: 25 fps (2560 × 1440, 1920 × 1080, 1280 × 960, 1280 × 720) 60 Hz: 30 fps (2560 × 1440, 1920 × 1080, 1280 × 960, 1280 × 720)

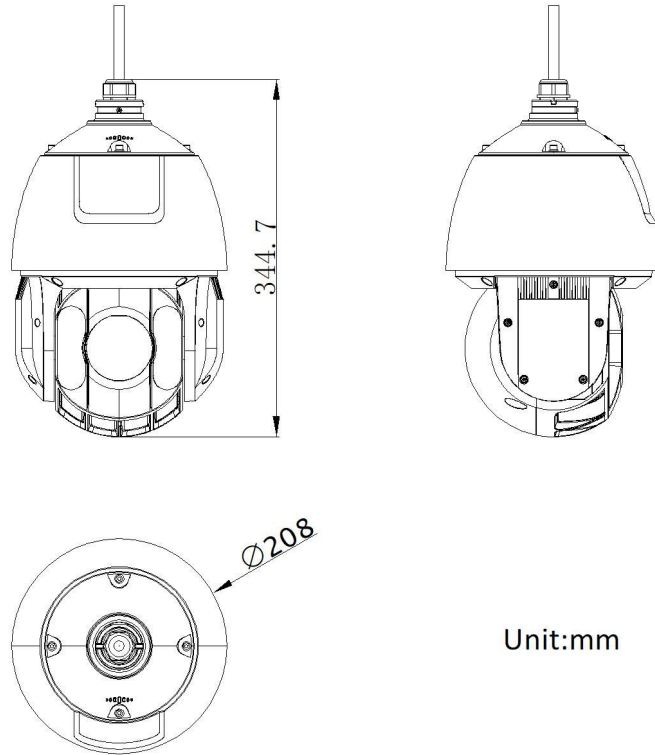
Sub-Stream	50 Hz: 25 fps (704 × 576, 640 × 480, 352 × 288) 60 Hz: 30 fps (704 × 480, 640 × 480, 352 × 240)
Third Stream	50 Hz: 25 fps (1920 × 1080, 1280 × 960, 1280 × 720, 704 × 576, 640 × 480, 352 × 288) 60 Hz: 30 fps (1920 × 1080, 1280 × 960, 1280 × 720, 704 × 480, 640 × 480, 352 × 240)
Video Compression	H.265 H.264 MJPEG
H.264 Type	Baseline Profile Main Profile High Profile
H.265 Type	Main Profile
Scalable Video Coding (SVC)	yes
Region of Interest (ROI)	fixed region
Audio	
Audio Compression	G.711, G.722.1, G.726, MP2L2, MP3, PCM, AAC-LC
Audio Sampling Rate	MP2L2: 16 kHz, 32 kHz, 48 kHz, AAC-LC: 16 kHz, 32 kHz, 48 kHz, PCM: 8 kHz, 16 kHz, 32 kHz, 48kHz, MP3: 8 kHz, 16 kHz, 32 kHz, 48 kHz
Environment Noise Filtering	yes
Network	
Protocols	IPv4/IPv6 HTTP HTTPS 802.1x Qos FTP SMTP UPnP SNMP DNS DDNS NTP RTSP RTCP RTP TCP/IP UDP IGMP ICMP DHCP Bonjour WebSocket WebSockets
API	Open-ended API ISAPI Hikvision SDK Third-party management platform Hik-Connect ISUP Open Network Video Interface
User/Host	32
Security	Authenticated username and password MAC address binding HTTPS encryption 802.1X authenticated access IP address filter
Network Storage	NAS (NFS, SMB/ CIFS)
Client	iVMS-4200
Web Browser	Chrome 57+、Firefox 52+、Safari 12+ IE10-11
Wireless (Wi-Fi)	
Wireless Range	Up to 20 m (The performance varies based on actual environment)
Wireless (Mobile Communication)	
Frequency	LTE FDD/LTE TDD/WCDMA/HSPA+/GSM/GPRS/EDGE
Standard	LTE FDD:Band 1, 3, 5, 7, 8, 20, 28 LTE TDD:Band 38, 40, 41 WCDMA/HSPA+:Band 1, 5, 8 GSM/GPRS/EDGE:850/900/1800MH
Image	
Image Parameters Switch	yes
Image Settings	saturation brightness contrast sharpness
Day/Night Switch	day night auto scheduled-switch
Wide Dynamic Range (WDR)	yes
SNR	> 52dB
Defog	yes
Image Enhancement	BLC

Privacy Mask	up to 24 masks mask color configurable
Regional Focus	yes
Regional Exposure	yes
Interface	
Ethernet Interface	RJ45, self-adaptive 10M/100M Ethernet port
On-board Storage	Built-in memory card slot, support microSD/microSDHC/microSDXC card, up to 512 GB, Built-in eMMC storage, up to 256 GB
Audio	1 audio input, 2.0 to 2.4Vp-p, 1k Ohm±10%, 1 audio output, line level, impedance: 600 Ω
Alarm	2 alarm inputs
Reset	yes
Power Output	12 VDC, max. 1000 mA
Event	
Basic Event	motion detection alarm input alarm output video tampering alarm exception
Smart Event	face detection intrusion detection line crossing detection region entrance detection region exiting detection unattended baggage detection object removal detection audio exception detection
Linkage	preset patrol scan pattern scan alarm output sending email notify surveillance center upload to FTP NAS video recording
General	
Power	12 VDC
Dimension	Ø208 mm × 344.8 mm
Weight	Approx. 29.9 kg (65.9 lb.) With Package Weight:Approx. 35.3 kg (77.8 lb.)
Material	Metal
Operating Condition	-30°C to 65°C (-22°F to 149°F)
Demist	yes
Power Consumption and Current	Max. 20 W (including max. 7 W for IR and max. 1.6 W for heater);
Battery	
Battery Type	Lithium
Battery Voltage	10.8 V
Capacity	360 WH (90 WH for each battery)
Operating Temperature	Charging: -20 °C to 45 °C (-4 °F to 113 °F) Discharging: -20 °C to 60 °C (-4 °F to 140 °F)
Cycle Lifetime	Proactive mode: 8 days, Standby mode: 80 days *in cloudy/rainy days (25 °C)
Battery Life	More than 500 cycles
Battery Weight	Approx. 2.74 kg (6.0 lb.) (0.685 kg (1.5 lb.) for each battery)
Approval	
Protection	IP66 Standard; 6000V Lightning Protection, Surge Protection and Voltage Transient Protection

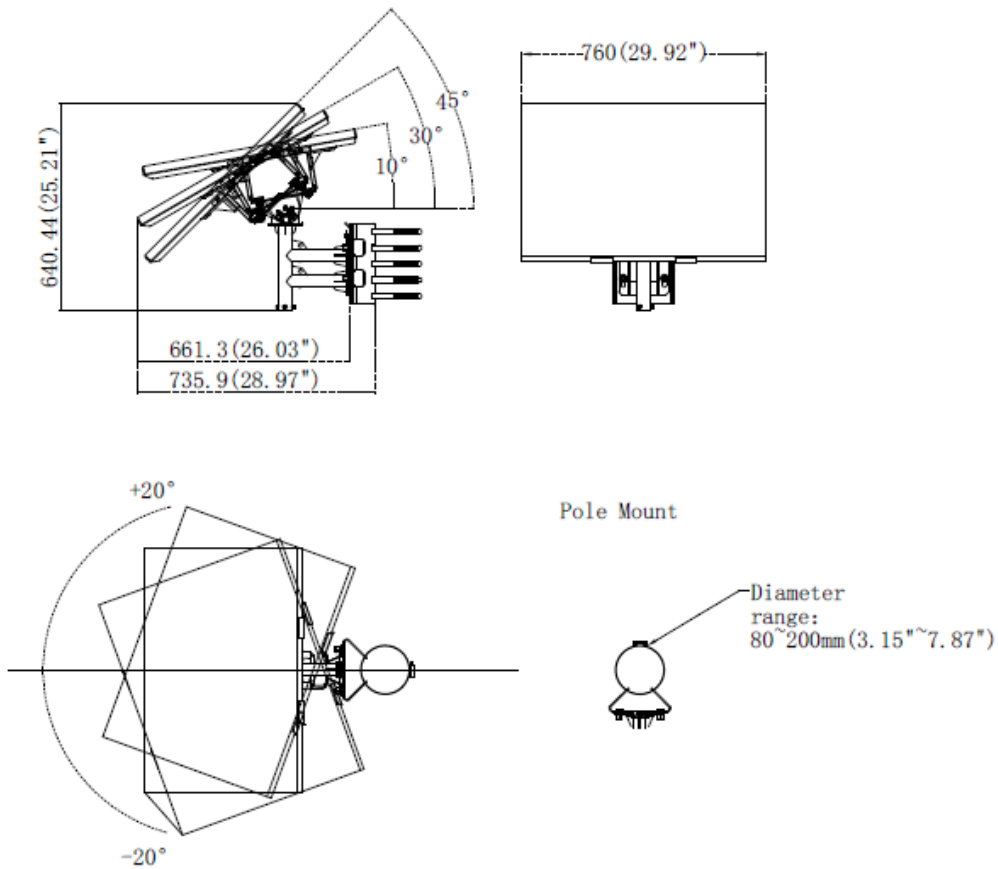
▪ Available Model

DS-2DE5425IWG-K/4G

▪ Dimension






Unit:mm



▪ **Accessory**

▪ **Optional**

DS-1661ZJ Pendant Mount	DS-1602ZJ-Pole Vertical pole mount	DS-1602ZJ-Corner Corner mount
		

Headquarters

No.555 Qianmo Road, Binjiang District,
Hangzhou 310051, China
T +86-571-8807-5998
www.hikvision.com



Follow us on social media to get the latest product and solution information.



Hikvision



HikvisionHQ



HikvisionHQ



Hikvision_Global



Hikvision
Corporate Channel



hikvisionhq