

DS-2CD2083G2-IU
8 MP AcuSense Fixed Bullet Network Camera

Empowered by deep learning algorithms, Hikvision AcuSense technology brings human and vehicle targets classification alarms to front- and back-end devices. The system focuses on human and vehicle targets, vastly improving alarm efficiency and effectiveness.

- High quality imaging with 8 MP resolution
- Efficient H.265+ compression technology
- Clear imaging against strong backlight due to 120 dB WDR technology
- Focusing on human and vehicle classification based on deep learning
- -U: Built-in microphone for real-time audio security
- Water and dust resistant (IP67)

▪ Specification

Model		DS-2CD2083G2-IU
Camera	Image Sensor	1/2.8" Progressive Scan CMOS
	Max. Resolution	3840 × 2160
	Min. Illumination	Color: 0.005 Lux @ (F1.6, AGC ON), B/W: 0 Lux with IR
	Shutter Time	1/3 s to 1/100,000 s
	Day & Night	IR cut filter
	Angle Adjustment	Pan: 0° to 360°, tilt: 0° to 90°, rotate: 0° to 360°
Lens	Lens Type	Fixed focal lens, 2.8, 4, and 6 mm optional
	Focal Length & FOV	2.8 mm, horizontal FOV 107°, vertical FOV 57°, diagonal FOV 128° 4 mm, horizontal FOV 87°, vertical FOV 46°, diagonal FOV 105° 6 mm, horizontal FOV 54°, vertical FOV 29°, diagonal FOV 63°
	Lens Mount	M12
	Iris Type	Fixed
	Aperture	F1.6
DORI	DORI	2.8 mm: D: 88 m, O: 35 m, R: 17 m, I: 9 m 4 mm: D: 108 m, O: 43 m, R: 22 m, I: 11 m 6 mm: D: 177 m, O: 70 m, R: 35 m, I: 18 m
Illuminator	Supplement Light Type	IR
	Supplement Light Range	Up to 40 m
	Smart Supplement Light	Yes
	IR Wavelength	850 nm
Video	Main Stream	50 Hz: 20 fps (3840 × 2160) 25 fps (3200 × 1800, 2688 × 1520, 1920 × 1080, 1280 × 720); 60 Hz: 20 fps (3840 × 2160) 30 fps (3200 × 1800, 2688 × 1520, 1920 × 1080, 1280 × 720)
	Sub-Stream	50 Hz: 25 fps (1280 × 720, 640 × 480, 640 × 360) 60 Hz: 30 fps (1280 × 720, 640 × 480, 640 × 360)
	Third Stream	50 Hz: 10 fps (1920 × 1080, 1280 × 720, 640 × 480, 640 × 360) 60 Hz: 10 fps (1920 × 1080, 1280 × 720, 640 × 480, 640 × 360), *Third stream is supported under certain settings.
	Video Bit Rate	32 Kbps to 16 Mbps
	H.264 Type	Baseline Profile, Main Profile, High Profile
	H.265 Type	Main Profile
	Bit Rate Control	CBR, VBR
	Scalable Video Coding (SVC)	H.264 and H.265 encoding

	Video Compression	Main stream: H.265+/H.265/H.264+/H.264, Sub-stream: H.265/H.264/MJPEG, Third stream: H.265/H.264 (*Third stream is supported under certain settings.)
	Region of Interest (ROI)	1 fixed region(s) for main stream and sub-stream
Audio	Audio Type	-U: Mono sound
	Audio Compression	-U: G.711/G.722.1/G.726/MP2L2/PCM/MP3/AAC-LC
	Audio Bit Rate	-U: 64 Kbps (G.711ulaw/G.711alaw)/16 Kbps (G.722.1)/16 Kbps (G.726)/32 to 192 Kbps (MP2L2)/8 to 320 Kbps (MP3)/16 to 64 Kbps (AAC-LC)
	Audio Sampling Rate	-U: 8 kHz/16 kHz/32 kHz/44.1 kHz/48 kHz
	Environment Noise Filtering	-U: Yes
Network	Protocols	TCP/IP, ICMP, HTTP, HTTPS, FTP, DHCP, DNS, DDNS, RTP, RTSP, NTP, UPnP, SMTP, IGMP, 802.1X, QoS, IPv4, IPv6, UDP, Bonjour, SSL/TLS, PPPoE, SNMP, WebSocket, WebSockets
	Simultaneous Live View	Up to 6 channels
	API	Open Network Video Interface (Profile S, Profile G), ISAPI, SDK
	User/Host	Up to 32 users 3 user levels: administrator, operator, and user
	Security	Password protection, complicated password, HTTPS encryption, IP address filter, Security Audit Log, basic and digest authentication for HTTP/HTTPS, TLS 1.1/1.2, WSSE and digest authentication for Open Network Video Interface
	Network Storage	NAS (NFS, SMB/CIFS), Auto Network Replenishment (ANR)
	Client	iVMS-4200, Hik-Connect, Hik-Central
Image	Image Parameters Switch	Yes
	Image Settings	Rotate, mirror, privacy mask, saturation, brightness, contrast, sharpness, gain, white balance adjustable by client software or web browser
	Day/Night Switch	Day, Night, Auto, Schedule
	Wide Dynamic Range (WDR)	120 dB
	SNR	≥ 52 dB
	Image Enhancement	BLC, HLC, 3D DNR
	Privacy Mask	4 programmable polygon privacy masks
Interface	Ethernet Interface	1 RJ45 10 M/100 M self-adaptive Ethernet port
	On-Board	Built-in memory card slot, support microSD card, up to 512 GB

	Storage	
	Reset Key	Yes
	Built-in Microphone	-U: Yes
Event	Basic Event	Motion detection (support alarm triggering by specified target types (human and vehicle)), video tampering alarm, exception
	Smart Event	Line crossing detection, intrusion detection (support alarm triggering by specified target types (human and vehicle)), face detection
	Linkage	Upload to FTP/NAS/memory card, notify surveillance center, send email, trigger recording, trigger capture
General	Power	12 VDC \pm 25%, 0.5 A, max. 6 W, \varnothing 5.5 mm coaxial power plug, reverse polarity protection, PoE: 802.3af, Class 3, 36 V to 57 V, 0.2 A to 0.13 A, max. 7.2 W
	Material	Aluminum alloy body, bubble: plastic
	Dimension	\varnothing 70 mm \times 161.7 mm (\varnothing 2.8" \times 6.4")
	Package Dimension	216 mm \times 121 mm \times 118 mm (8.5" \times 4.8" \times 4.6")
	Weight	Approx. 495 g (1.1 lb.)
	With Package Weight	Approx. 759 g (1.7 lb.)
	Storage Conditions	-30 $^{\circ}$ C to 60 $^{\circ}$ C (-22 $^{\circ}$ F to 140 $^{\circ}$ F). Humidity 95% or less (non-condensing)
	Startup and Operating Conditions	-30 $^{\circ}$ C to 60 $^{\circ}$ C (-22 $^{\circ}$ F to 140 $^{\circ}$ F). Humidity 95% or less (non-condensing)
	Language	33 languages: English, Russian, Estonian, Bulgarian, Hungarian, Greek, German, Italian, Czech, Slovak, French, Polish, Dutch, Portuguese, Spanish, Romanian, Danish, Swedish, Norwegian, Finnish, Croatian, Slovenian, Serbian, Turkish, Korean, Traditional Chinese, Thai, Vietnamese, Japanese, Latvian, Lithuanian, Portuguese (Brazil), Ukrainian
	General Function	Heartbeat, anti-flicker, password reset via email, pixel counter
Approval	EMC	FCC: 47 CFR Part 15, Subpart B, CE-EMC: EN 55032: 2015, EN 61000-3-2:2019, EN 61000-3-3: 2013+A1:2019, EN 50130-4: 2011 +A1: 2014, RCM: AS/NZS CISPR 32: 2015, IC: ICES-003: Issue 7, KC: KN32: 2015, KN35: 2015
	Environment	CE-RoHS: 2011/65/EU, WEEE: 2012/19/EU, Reach: Regulation (EC) No 1907/2006
	Protection	IP67: IEC 60529-2013
	Safety	UL: UL 62368-1, CB: IEC 62368-1:2014+A11, CE-LVD: EN 62368-1:2014/A11: 2017, BIS: IS 13252 (Part 1): 2010/IEC 60950-1:2005

▪ Typical Application

Level	Description
Top-level protection	Hikvision products at this level are equipped for use in areas where professional anti-corrosion protection is a must. Typical application scenarios include coastlines, docks, chemical plants, and more.
Moderate protection	Hikvision products at this level are equipped for use in areas with moderate anti-corrosion demands. Typical application scenarios include coastal areas about 2 kilometers (1.24 miles) away from coastlines, as well as areas affected by acid rain.
No specific protection	Hikvision products at this level are equipped for use in areas where no specific anti-corrosion protection is needed.

Hikvision products are classified into three levels according to their anti-corrosion performance. Refer to the following description to choose for your using environment.

This model has NO SPECIFIC PROTECTION.

▪ Available Model

DS-2CD2083G2-IU(2.8mm)

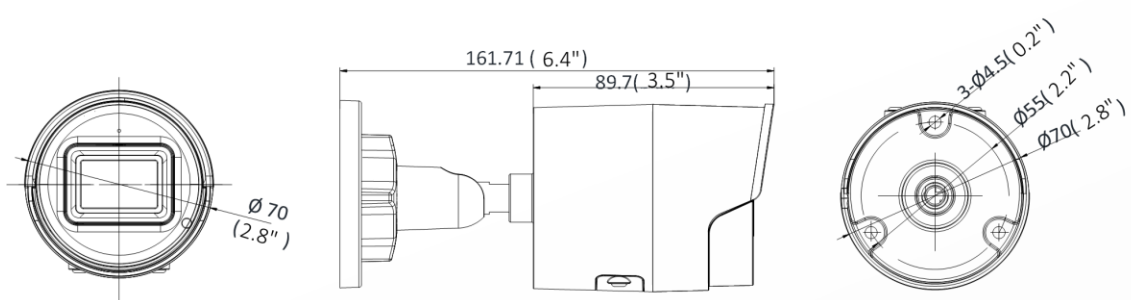
DS-2CD2083G2-IU(4mm)

DS-2CD2083G2-IU(6mm)

DS-2CD2083G2-IU(2.8mm)(USA-STD)

DS-2CD2083G2-IU(4mm)(USA-STD)

▪ Dimension

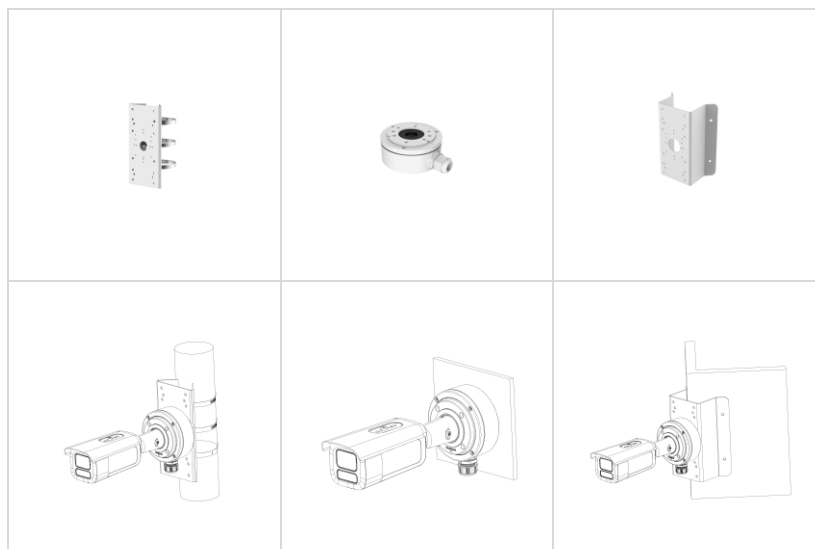


Unit: mm(Inch)

▪ Accessory

▪ Optional

DS-1275ZJ-SUS	DS-1280ZJ-XS	DS-1276ZJ-SUS
Vertical pole mount	Junction box	Corner mount



See Far, Go Further



www.hikvision.com
support@hikvision.com

